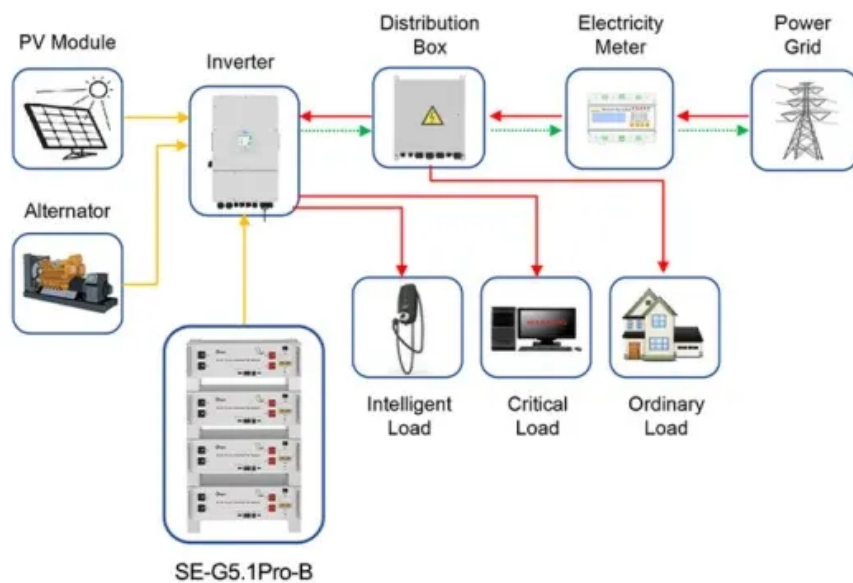


Which region uses more solar power generation



Application scenarios of energy storage battery products



Which region uses more solar power generation



Top 5 Regions for Solar Installations

Explore the rapid growth of solar energy across top global regions, driven by innovative policies, challenges, and technological advancements.

Solar power by country

The worldwide growth of photovoltaics is extremely dynamic and varies strongly by country. In April 2022, the total global solar power capacity reached 1 TW, increasing to 2 TW in 2024. The top



Solar Energy Generation by State Report April 2026

The following table ranks the best and worst states for solar energy production (shown in thousand megawatt-hours) in December and January, number 1 represents the best state for solar

Following the Sun: solar energy development varies by region

Solar energy development has been concentrated in the Atlantic and West regions of the United States, especially in California, North Carolina, and Massachusetts. These States are among



Which region has the most solar energy plants? , NenPower



Solar Energy Generation by State Report April 2026

Read Sunrun Blog. Free Personalized Quote



Global Solar Atlas

Global Photovoltaic Power Potential by Country
The World Bank has published the study Global Photovoltaic Power Potential by Country, which provides an aggregated and harmonized view on



Solar State By State - SEIA

Texas has the fastest growing solar economy with the largest utility-scale solar and energy

Various statistics indicate that the region has consistently led the United States, and indeed the world, in solar power generation. An exploration into the specific types of solar energy



Solar Power by Country 2026

Data and analysis including a list of solar power in every country in the world, countries with the most solar power, and countries that generate the highest percentage of their electricity from solar power.



Solar explained

In 2023, California accounted for the largest percentage share of total utility-scale solar electricity generation (25%), followed by Texas (17%). California accounted for nearly 40% of total

storage projects in the nation. Ranking 2nd in the nation, Texas has 51.9 GW installed and is expected to



Solar energy generation by region

Use these URLs to programmatically access this chart's data and configure your requests with the options below. Our documentation provides more information on how to use the API, and

Contact Us

For catalog requests, pricing, or partnerships, please visit:
<https://www.bartstudio.biz>