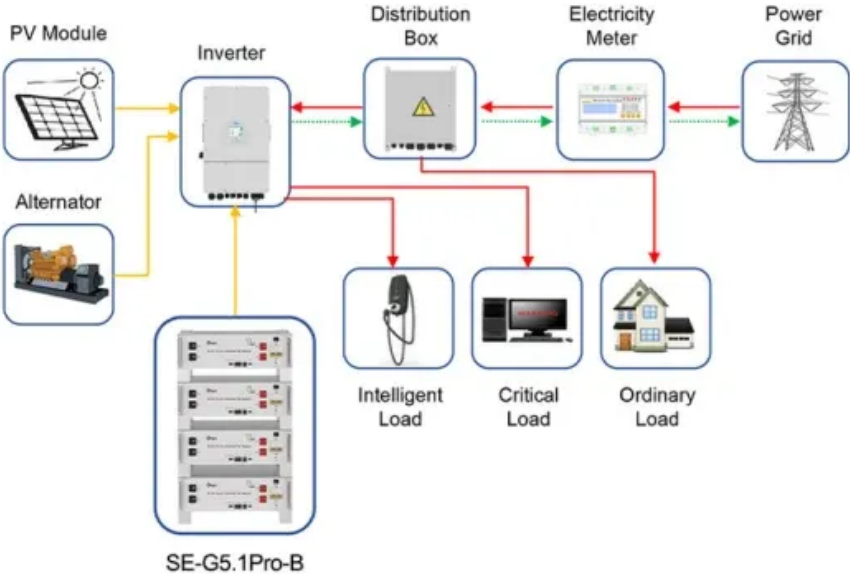


What happens if you replace photovoltaic panels with glass



Application scenarios of energy storage battery products



Overview

A solar system with a broken glass panel often continues to work. Damaged solar panel glass can lead to reduced sunlight absorption, causing a decrease in overall energy . Think of solar panel glass as your system's protective shield; once it's compromised, everything underneath becomes vulnerable. This guide explores best practices, cost considerations, and emerging trends in glass replacement for solar panels.

What happens if you replace photovoltaic panels with glass



Will a Shattered Solar Panel Still Work? Myths and Facts

Explore whether a shattered solar panel can still work, common myths, downsides, and FAQs to help you make informed decisions.

Will Solar Panel Work With Broken Glass?

Damaged panels expose internal components to moisture and UV damage, leading to progressive deterioration and safety risks. Broken glass compromises the panel's protective layer,



When Solar Panels Crack: What Happens When Photovoltaic Panel

When Solar Panels Crack: What Happens When Photovoltaic Panel Glass Breaks? Let's face it - solar panels aren't exactly delicate flowers, but when you hear that sickening *crunch* from your rooftop

Will a Solar Panel Work with Broken Glass?

If the glass on a solar panel is only partially broken and the solar cells themselves are not damaged, the panel might still produce some electricity. However, it's important to note that the



What To Do If You Have Broken Or Damaged Solar Panels

However, once damage happens to a solar panel,



Is the glass of photovoltaic panels easily damaged? -

This article explains the characteristics and causes of damage to the glass backsheet of photovoltaic panels.



[Will Solar Panels Work With Broken Glass? Expert Tips For Solar](#)

This article delves into the functionality of solar panels with broken glass, exploring the impact on performance and the steps to take for effective repair or replacement.



[Replacing the Glass of Photovoltaic Modules: A](#)

only a few repair scenarios may be more desirable than simply installing a new one. Broken or etched glass is often repairable by a



Does a solar panel still work if the glass is cracked?

When solar panel glass does break, the system will not absorb light as efficiently. Foreign elements such as water and dust can travel underneath the glass and impact the energy both



Do solar panels with broken glass still work?

Damaged solar panel glass can lead to reduced sunlight absorption, causing a decrease in overall energy production. This inefficiency can result in diminished performance over time and

[Practical Guide for](#)

This guide explores best practices, cost considerations, and emerging trends in glass replacement for solar panels. Whether you're a solar farm operator, installer, or maintenance technician,



Contact Us

For catalog requests, pricing, or partnerships, please visit:
<https://www.bartstudio.biz>