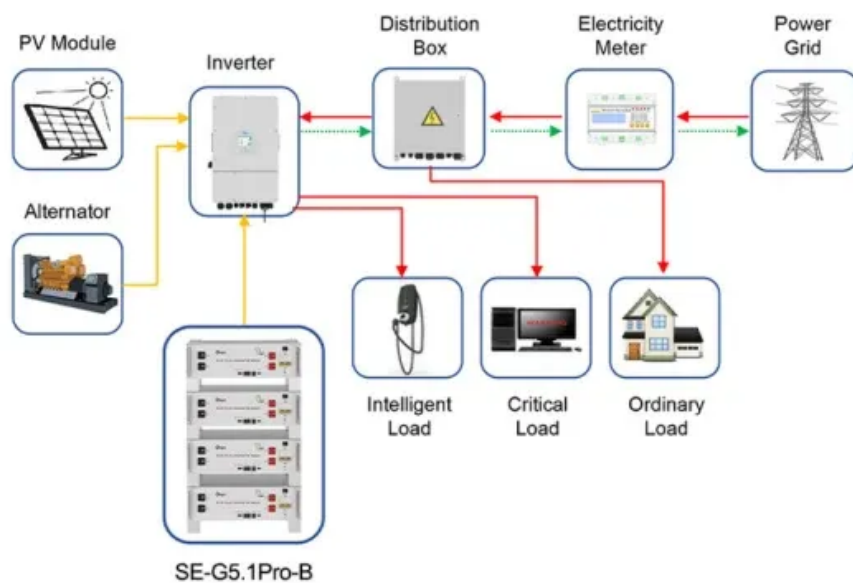


Price quote for a 50kW photovoltaic container for Indian mines



Application scenarios of energy storage battery products



Price quote for a 50kW photovoltaic container for Indian mines



Price quote for a 50kW photovoltaic energy storage container

Understanding 50kW energy storage equipment price requires evaluating technical specs, application needs, and lifecycle costs. While entry-level systems start around \$45,000, premium

50kW Solar System Price in India (2025) - Subsidy, Cost, Specs

Looking for a 50kW solar system in India? Get the 2025 price, installation cost, subsidy info, savings, technical specs & more in this detailed guide. Ideal for factories, hotels, schools &



[Price of a 50kW collapsible container for use on Indian islands](#)

Discover solar powered shipping containers with 10-50KW off-grid systems, lithium batteries & 25-year capacity guarantee. Ideal for solar powered AC and cold storage.

[BOQ for 50kW Solar Power Plant , PDF , Solar Panel , Photovoltaic](#)

BOQ -50KW ON GRID COST SHEET - Free download as Excel Spreadsheet (.xls / .xlsx), PDF File (.pdf), Text File (.txt) or read online for free. BILL OF QUANTITY-FOR 50 KW ON GRID SOLAR



[50 kW Solar Panel System Price in India \(2026\) - Bluebird Solar](#)



50kVA 50kW Solar Power Plant And Price

Flexible, Scalable Design and Efficient 50kVA 50kW Solar Power Plant. With Lithium-ion Battery Off Grid Solar System For A Factory, Hotel, or Village.



[50 kW Solar Panel System Price in India in 2025 . Explore ROI and](#)

The 50 kW solar panel system price in India depends on several factors, including your DISCOM charges, panel type, inverter type, mounting structure height, type of after-sales service,

[50kW Solar System Price - On grid, Off grid and Hybrid solar system.](#)

50kW Solar system price in India. Buy 50kW On-grid, Off-grid and Hybrid solar system at best cost in India with subsidy and battery backup.



[Price quote for a 50kW photovoltaic container for Indian mines](#)

The 50 kW solar panel system price in India for DCR on-grid rooftop subsidy projects ranges from ~Rs. 40,000* to 45,000* per kW + 13.8% GST with subsidy. Simply put, you'll be shelling out ~Rs. 20 lakh*



[Price quote for grid-connected photovoltaic](#)

[containers used in Indian mines](#)

The price of an energy storage container can vary significantly depending on several factors, including its capacity, technology, features, and market conditions.



Contact Us

For catalog requests, pricing, or partnerships, please visit:
<https://www.bartstudio.biz>