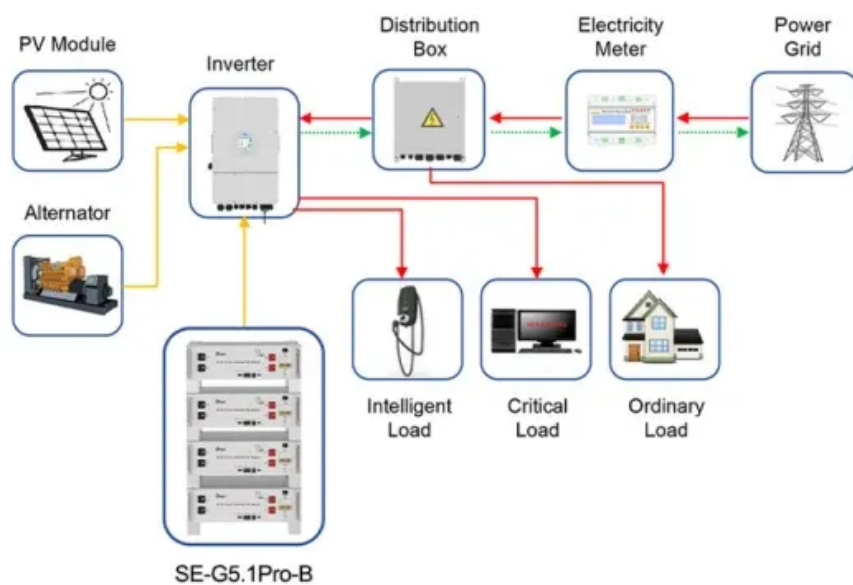


# Intelligent off-grid solar cabinet-based system for hospitals



Application scenarios of energy storage battery products



## Intelligent off-grid solar cabinet-based system for hospitals

---



### [Microgrid Energy Storage Cabinet Control: The Brain Behind Resilient](#)

Imagine controllers that don't just store energy but negotiate it. During Italy's 2023 heatwave, systems like these autonomously traded stored solar between factories and hospitals

### [AI-driven smart grid optimization for hospital energy systems](#)

Integration of solar and wind renewable energy sources into hospital power supply systems can be beneficial to reduce dependence on grid power, save on electricity bills, and reduce



### **Kaiser Launches U.S. Largest Hospital Microgrid**

Kaiser Permanente has switched on the U.S. healthcare sector's largest hospital-based renewable microgrid at its Ontario Medical Center, combining solar, battery storage and a fuel cell.

### **Power Your Hospital with Sunchees Solar Systems**

Protect your hospital from power outages and reduce operational costs with Sunchees solar systems. Explore our full range of hospital solar solutions or contact us for a free consultation and energy



### [Securing off-grid power: the role of microgrids in](#)



### [resilient hospitals](#)

Microgrids are an innovative solution to empower hospitals with sustainable, on-site power generation and distribution. This article delves into the multifaceted advantages of implementing

### [Microgrid Systems for Isolated Healthcare Centers: Designing self](#)

This paper explores the design and implementation of self-sufficient microgrid systems tailored to meet the unique energy demands of such healthcare facilities.



### **Kaiser Permanente Debuts Largest Hospital-based Renewable**

Kaiser Permanente has unveiled the largest hospital-based, renewable energy microgrid system in the United States, supporting California's clean energy transition while improving

### [AI-driven smart grid optimization for hospital energy systems](#)

This study develops an AI-driven smart grid optimization framework for a tertiary hospital in Kuala Lumpur, Malaysia, integrating renewable generation, load forecasting, predictive maintenance, and



### [Solar Energy and Healthcare: Innovations in Medical Facilities](#)

A hospital in California implemented a solar energy system on its rooftop, including solar panels, energy storage systems, and a smart energy management system.

### [Hospital Solar System Equipment: Sustainable Energy Solutions for](#)

This article explores how hospital solar equipment works, its applications, and why it's becoming a game-changer for the medical sector. Discover the latest innovations, real-world case studies, and



## Contact Us

---

For catalog requests, pricing, or partnerships, please visit:  
<https://www.bartstudio.biz>