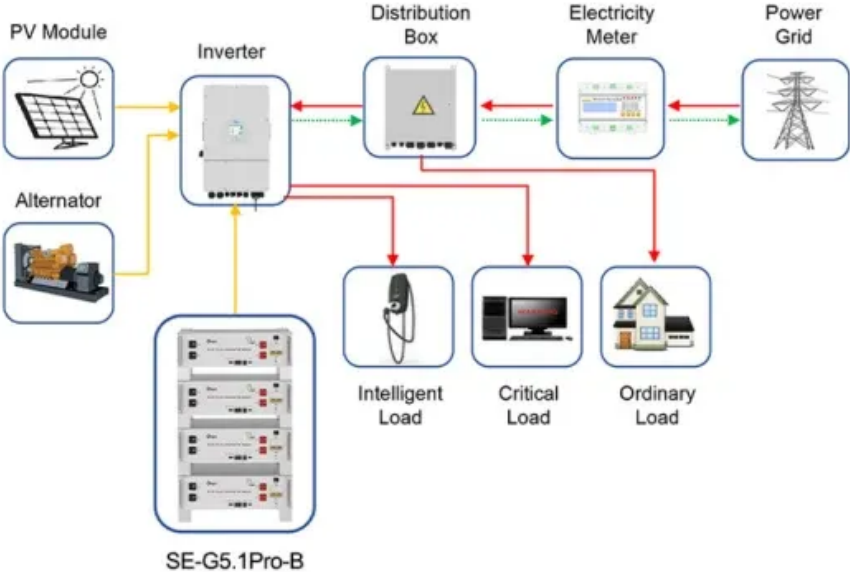


Battery energy storage cabinet commissioning 2 2kWh report EPC



Application scenarios of energy storage battery products



Battery energy storage cabinet commissioning 2 kWh report EPC



Battery Energy Storage Systems Report

Supply Chain Threat of PRC Influence for Digital Energy Infrastructure: Evaluating the Technical Risk Landscape .. 55 Grid and Utility

[The Ultimate Energy Storage Commissioning Guide: From Paperwork](#)

commissioning an energy storage system isn't exactly a walk in the park. Whether you're handling a 20MW grid-scale beast or a commercial building's backup power solution, this guide's got



EPC & Commissioning for Battery Energy Storage Systems

End-to-end EPC and commissioning services for battery energy storage systems. Reliable project execution, system integration, and grid-ready operation.

[Energy Storage Digital Commissioning . TWACE Battery Analytics](#)

Get your BESS ready for commercial operation with a Digital Commissioning Report that enhances Site Acceptance Testing with independent performance insights, including SoH, capacity, and RTE.





battery energy storage cabinet commissioning 2.2kwh report

Figure 2 lists the elements of a battery energy storage system, all of which must be reviewed during commissioning, and are discussed in detail in Chapter 22 of this handbook.

Commissioning Report

By entering the date and adding their signature, the responsible electrically qualified person confirms that commissioning has been carried out in accordance with the system manual and the instructions



The BESS System: Construction, Commissioning, and O&M Guide

A comprehensive guide on the construction, commissioning, and operation & maintenance of industrial and commercial energy storage systems.

Battery Energy Storage System (BESS) Commissioning and

We provide pre-procurement test plans as well as provide onsite or remote testing for BESS projects for performance qualifications to use cases, commissioning and warranty checkup independent tests,



Battery Energy Storage Systems , EPC Energy

With over 650 MWh installed and commissioned, our experienced team can provide in-house design and engineering services, along with end-

to-end support including commissioning, operations &

EPC Framework for BESS Projects

This paper presents a streamlined, five-step EPC framework covering feasibility assessment, permitting, procurement, construction, and commissioning. A Danish demonstration (the BOSS project on



Contact Us

For catalog requests, pricing, or partnerships, please visit:
<https://www.bartstudio.biz>