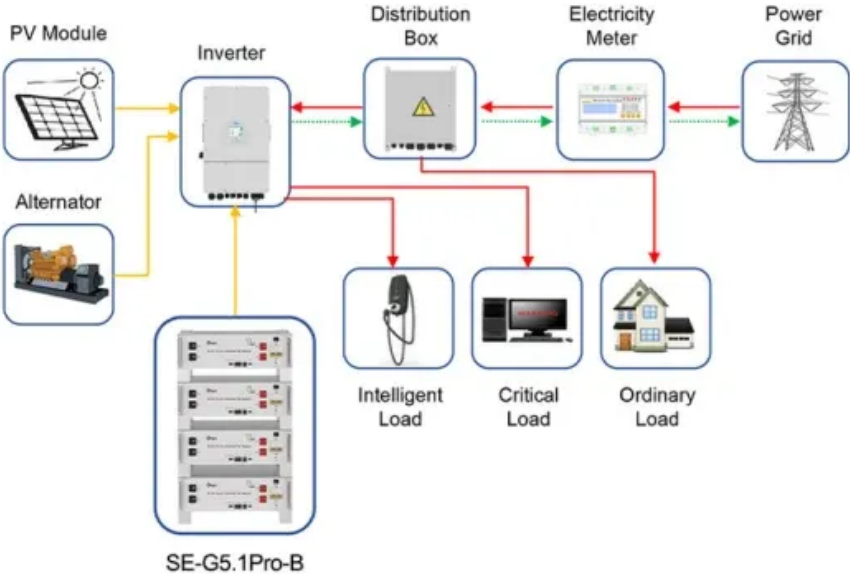


# 700w photovoltaic panel price trend



Application scenarios of energy storage battery products



## Overview

---

Price trend: Under the combined squeeze of upstream wafer price declines, retreating silver costs, and shrinking downstream demand, manufacturer asking prices are continuously moving lower. Starting February 2025, spot price updates for 183mm n-type wafers in dollar terms will be introduced. TOPCon 210\*210mm . Price trend: Transaction prices for rod silicon (dense/compact polysilicon) have now broadly fallen below RMB 35/kg, while granular silicon has dropped below RMB 33/kg. This round of price decline is being driven by two forces: first, second- and third-tier producers and traders are aggressively . Wafer Prices In China: The Prices are surveyed by CNY term with Tax and then shown in USD term without 13% of VAT after April 1, 2019, 16% of VAT after May 1, 2018 and 17% of VAT before May 1, 2018. 28/W, ending years of dramatic fluctuations as supply-demand dynamics rebalance and weak suppliers exit the market. TOPCon Technology Dominance: TOPCon modules have . Our World in Data is free and accessible for everyone. Help us do this work by making a donation. So, what are we paying for when we invest in solar?

The total solar panel pricing in 2025 is not just the price of the panels alone. It is the combination of both hard and soft costs.

## 700w photovoltaic panel price trend

---



### PV Price Trends , TrendForce

Price trend: Although headline asking prices from leading manufacturers remain outwardly firm, actual transaction prices have already begun to soften. As upstream cell prices continue to fall

### Solar photovoltaic panel prices

Average price of solar modules, expressed in US dollars per watt, adjusted for inflation.



### [Latest Photovoltaic Panel Factory Price List: Trends & Analysis for](#)

Understanding solar panel pricing is critical for distributors, project developers, and commercial buyers. This article breaks down current factory prices, market drivers, and strategies to optimize

### PV spot price

InfoLink Consulting provides weekly updates on PV spot prices, covering module price, cell price, wafer price, and polysilicon price. Learn about photovoltaic panel price trends and solar panel



### Polysilicon Solar PV Price

All solar PV (Photovoltaic) real-time price update, such as Panle/Module, Inverter, Wafer, Cell, and poly / Silicon, and research reports.

## Solar Photovoltaic System Cost Benchmarks

The U.S. Department of Energy's solar office and its national laboratory partners analyze cost data for U.S. solar photovoltaic systems to develop cost benchmarks to measure progress towards goals and



## Solar PV Module Price Trends 2026 Insights

Explore current solar PV module price trends for 2026. Discover how efficiency, policy shifts, and supply chain dynamics are shaping market prices. Click to stay ahead in renewable

## How to Choose Solar Panels 700W: A Complete Buyer's Guide

As of 2024, the average price for a single 700W solar panel ranges from \$0.25 to \$0.45 per watt, translating to \$175-\$315 per panel at retail. Bulk purchases (10+ units) may reduce costs to



## [Solar Module Prices 2025: Complete Guide To Current Costs & Trends](#)

Comprehensive guide to solar module prices in 2025. Current costs, market trends, buying strategies, and price forecasts. Updated with latest data.

## [Photovoltaic Panels Price Guide 2025: Residential and Commercial](#)

In some states of the US, prices have declined due to great sunshine, like California and Texas, and more competition among solar panel installers. However, in other states with fewer



solar

## Contact Us

---

For catalog requests, pricing, or partnerships, please visit:  
<https://www.bartstudio.biz>